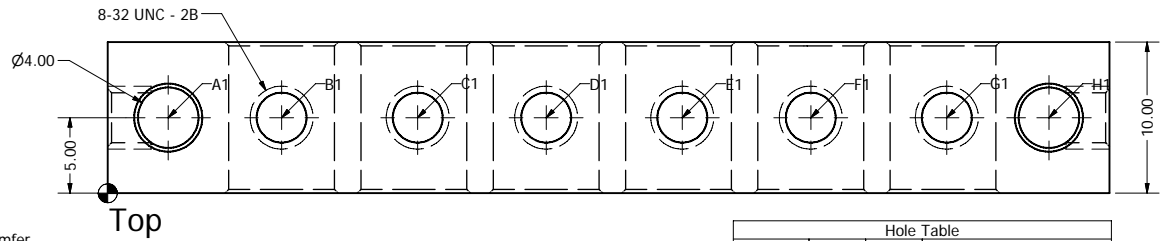
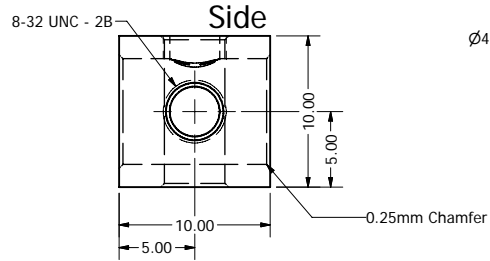
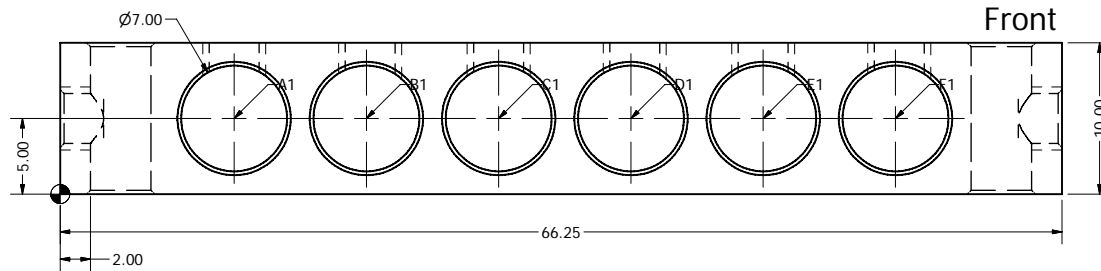
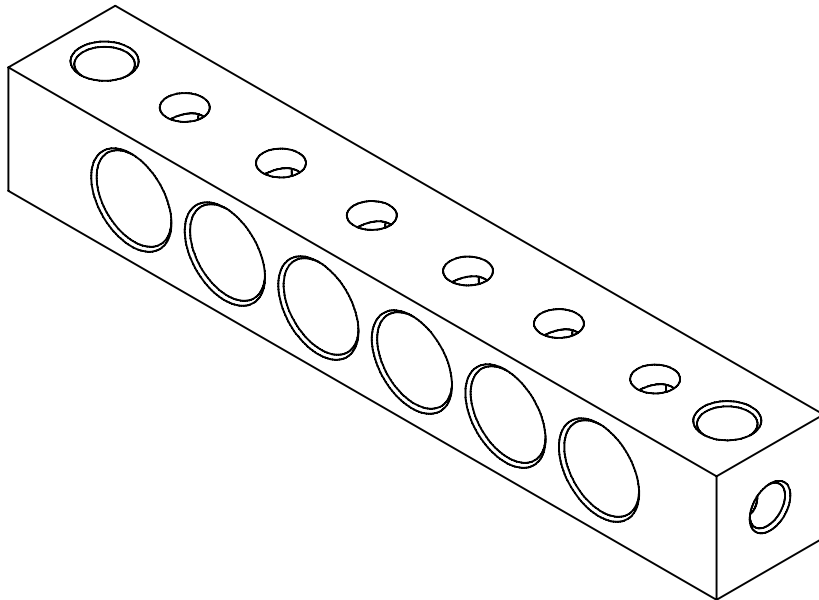


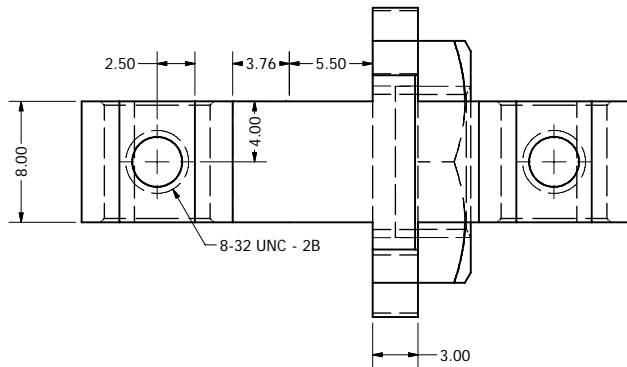
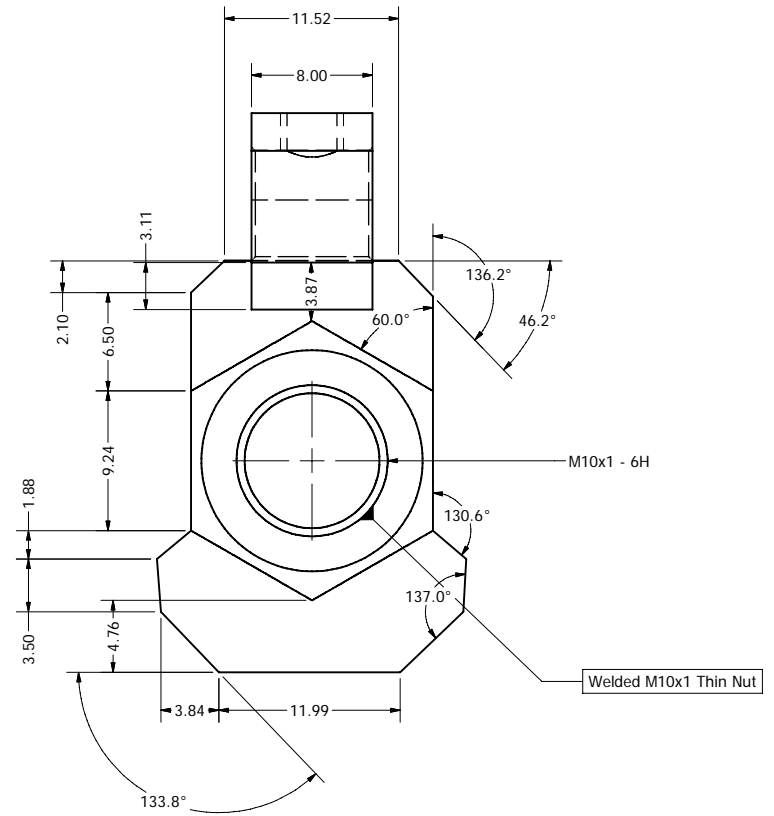
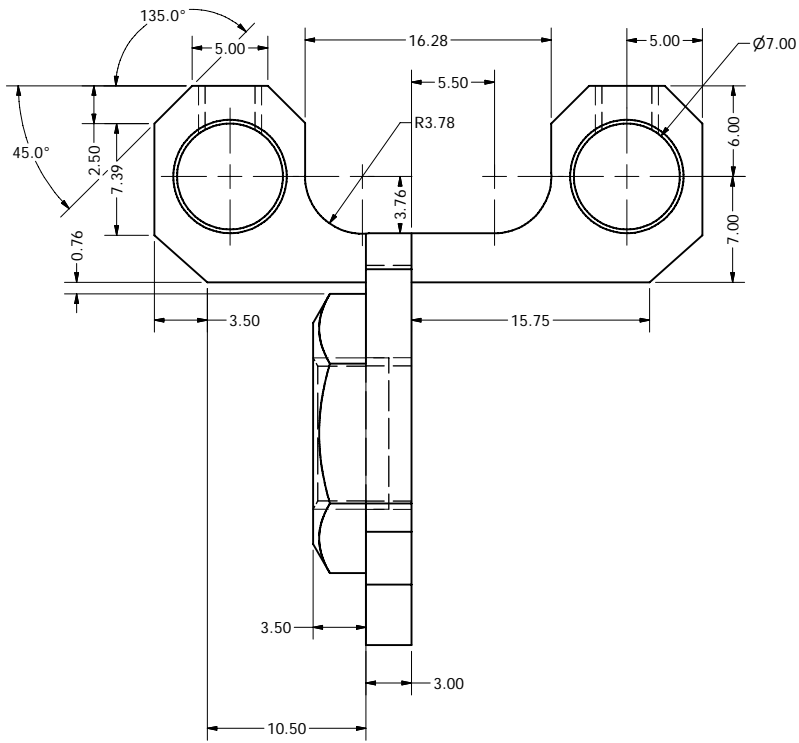
| Hole Table | | | |
|------------|-------|------|-------------|
| HOLE | XDIM | YDIM | DESCRIPTION |
| A1 | 11.50 | 5.00 | Value |
| B1 | 20.25 | 5.00 | Value |
| C1 | 29.00 | 5.00 | Value |
| D1 | 37.75 | 5.00 | Value |
| E1 | 46.50 | 5.00 | Value |
| F1 | 55.25 | 5.00 | Value |



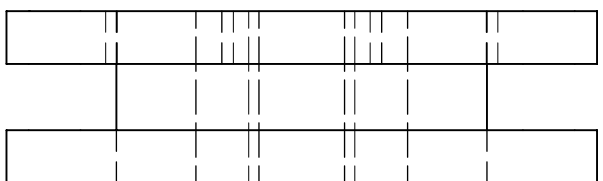
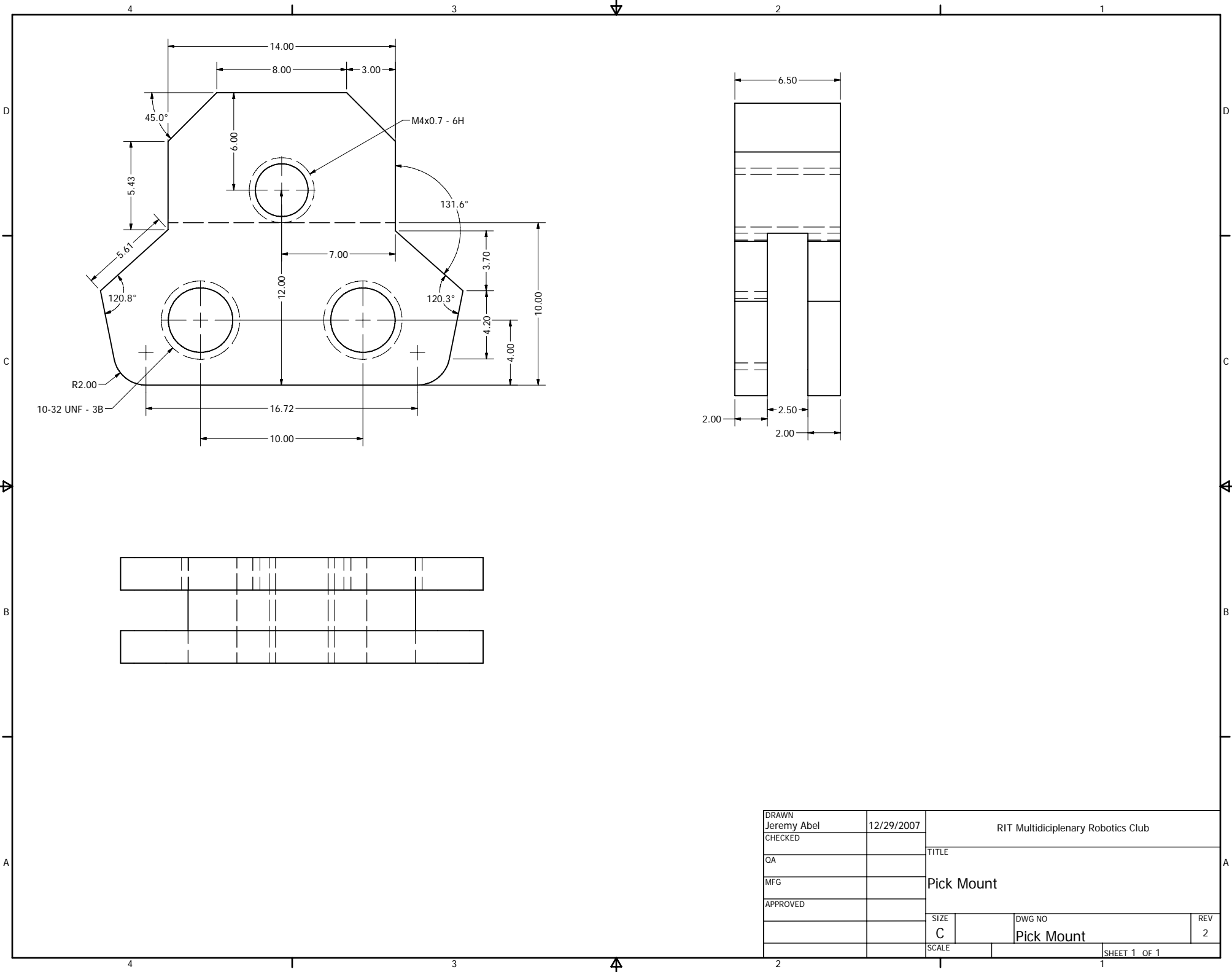
| Hole Table | | | |
|------------|-------|------|-------------|
| HOLE | XDIM | YDIM | DESCRIPTION |
| A1 | 4.00 | 5.00 | Value |
| B1 | 11.50 | 5.00 | Value |
| C1 | 20.50 | 5.00 | Value |
| D1 | 29.00 | 5.00 | Value |
| E1 | 38.00 | 5.00 | Value |
| F1 | 46.50 | 5.00 | Value |
| G1 | 55.50 | 5.00 | Value |
| H1 | 62.25 | 5.00 | Value |



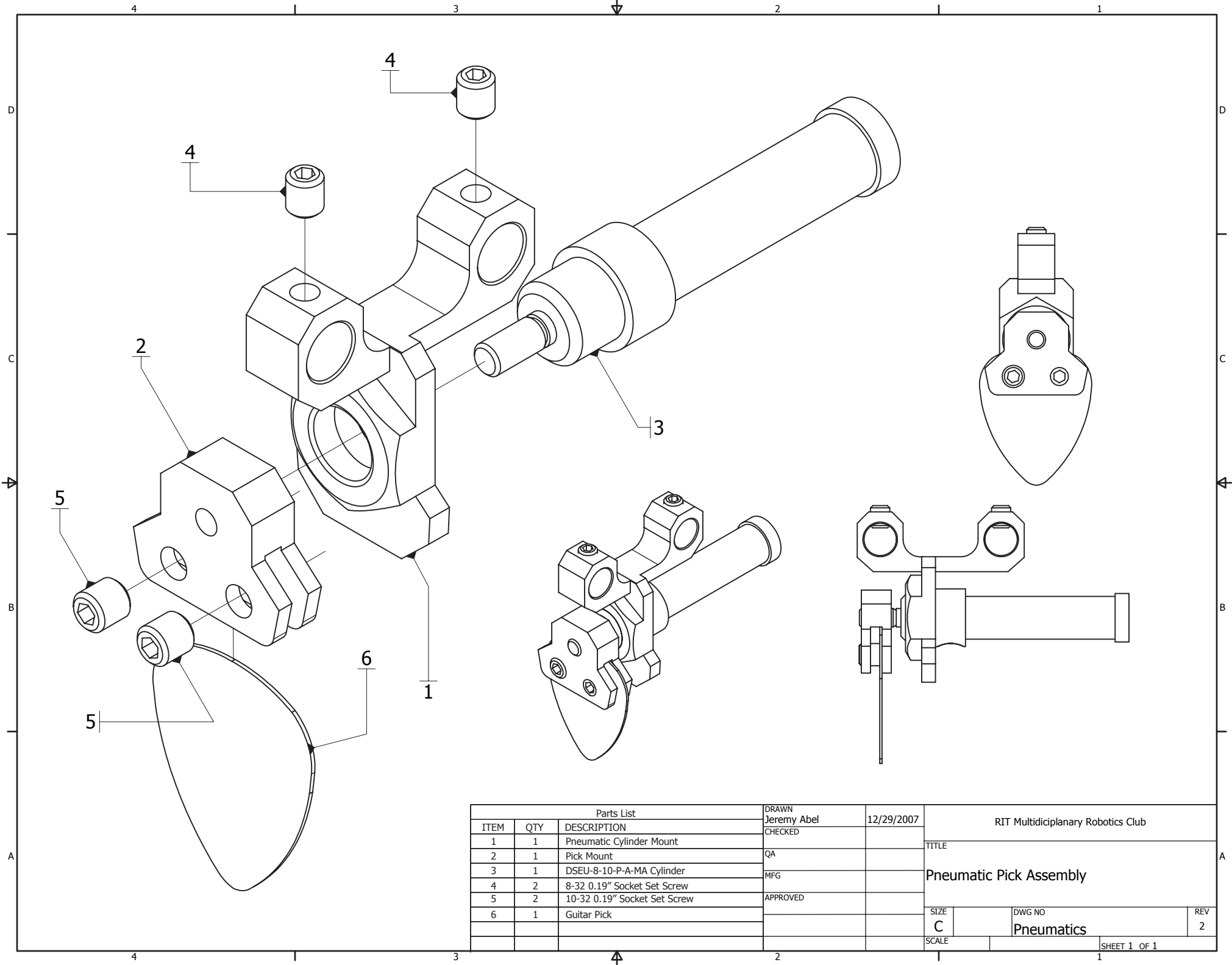
| | | | | |
|----------------------|------------|------------------------------------|----------------|-----|
| DRAWN Jeremy Abel | 12/29/2007 | RIT Multidiciplenary Robotics Club | | |
| CHECKED | | TITLE | | |
| QA | | Pick Support Truss | | |
| MFG | | SIZE | DWG NO | REV |
| APPROVED | | C | PluckerMount-1 | 1 |
| | | SCALE | SHEET 1 OF 1 | |



| | | | | |
|----------------------|------------|------------------------------------|----------------|-----|
| DRAWN Jeremy Abel | 12/29/2007 | RIT Multidiciplenary Robotics Club | | |
| CHECKED | | TITLE | | |
| QA | | Cylinder Mounting Bracket | | |
| MFG | | SIZE | DWG NO | REV |
| APPROVED | | C | Cylinder Mount | |
| | | SCALE | SHEET 1 OF 1 | |



| | | | | | |
|----------------------|--|------------|--------------|------------------------------------|--|
| DRAWN Jeremy Abel | | 12/29/2007 | | RIT Multidiciplenary Robotics Club | |
| CHECKED | | | | TITLE | |
| QA | | | | Pick Mount | |
| MFG | | | | | |
| APPROVED | | | | | |
| | | SIZE | DWG NO | REV | |
| | | C | Pick Mount | 2 | |
| | | SCALE | SHEET 1 OF 1 | | |



| Parts List | | | DRAWN | 12/29/2007 | RIT Multidiciplinary Robotics Club | | |
|------------|---|------------------------------|-------------|------------|------------------------------------|------------|--------------|
| 1 | 1 | Pneumatic Cylinder Mount | Jeremy Abel | | TITLE | | |
| 2 | 1 | Pick Mount | CHECKED | | | | |
| 3 | 1 | DSEU-8-10-P-A-MA Cylinder | QA | | Pneumatic Pick Assembly | | |
| 4 | 2 | 8-32 0.19" Socket Set Screw | MFG | | | | |
| 5 | 2 | 10-32 0.19" Socket Set Screw | APPROVED | | SIZE | DWG NO | REV |
| 6 | 1 | Guitar Pick | | | C | Pneumatics | 2 |
| | | | | | SCALE | | SHEET 1 OF 1 |