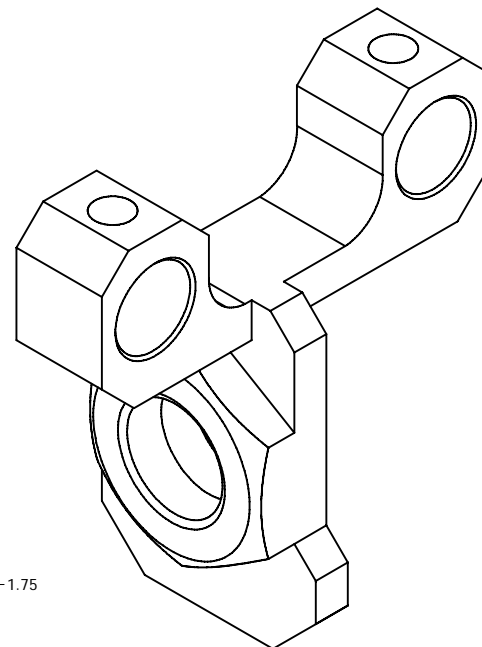
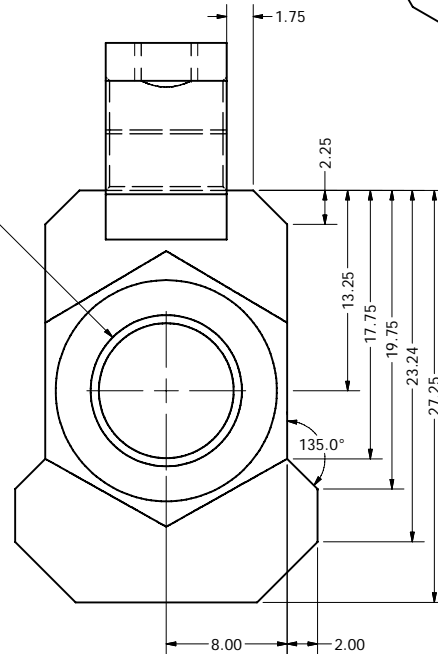


M10x1 - 6H THRU



DRAWN Jeremy Abel	12/29/2007	RIT Multidiciplinary Robotics Club		
CHECKED		TITLE		
QA		Cylinder Mounting Bracket		
MFG		SIZE C	DWG NO Cylinder Mount	REV 2
APPROVED		SCALE	SHEET 1 OF 1	